

Single Jet Water Meter

- Suitable for cold (30°C) or hot (90°C) water
- MID R80 as per 2004/22/EC
- WRAS Approved (cold version)
- Dial can be rotated by 360° for easy reading
- Super dry, sealed register
- Available with pulse output, 1 pulse = 10 litre
- Suitable up to 16 Bar working pressure
- Suitable for horizontal or vertical installation

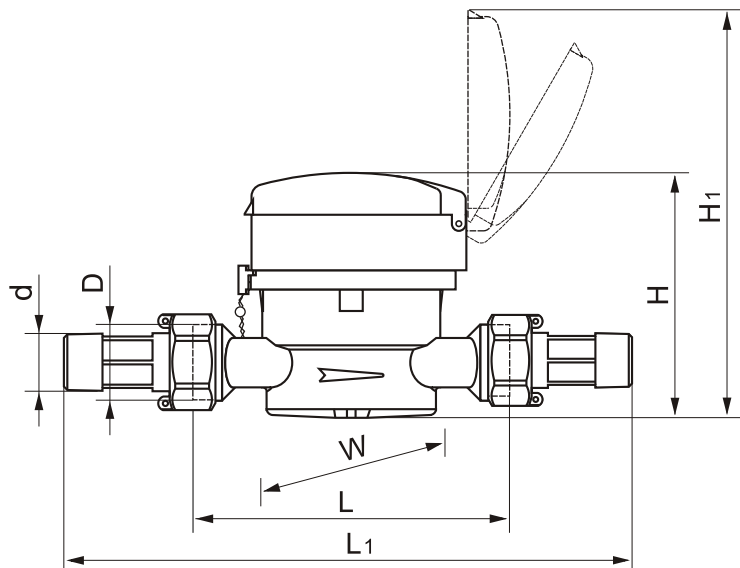


Technical Data

Dimensions

| Diameter | | DN | 15 | 20 |
|------------------|----|----|-------|------|
| Body Thread | | D | G3/4B | G1B |
| Connector Thread | | d | R1/2 | R3/4 |
| Body Length | mm | L | 110 | 130 |
| Overall Length | mm | L1 | 204 | 234 |
| Width | mm | W | 80 | 80 |
| Height | mm | H | 88 | 88 |
| Working Height | mm | H1 | 143 | 143 |
| Weight | kg | | 0.6 | 0.98 |

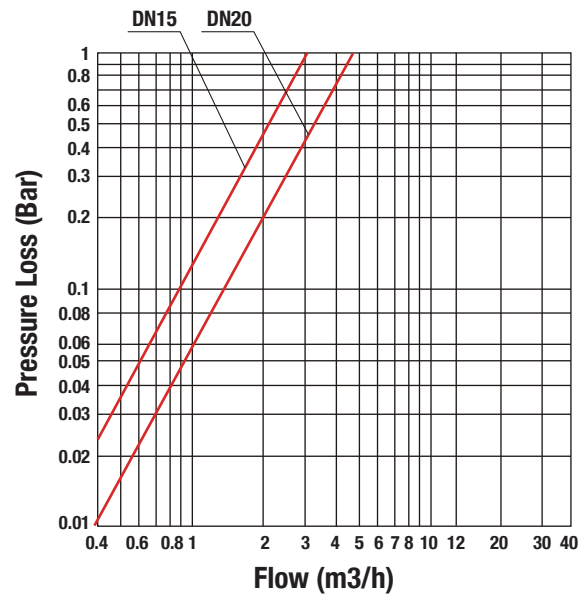
Dimensional Drawing



Flow Data

| Diameter | DN | 15 | 20 |
|-----------------------------|------|--------|------|
| Minimum Flowrate Q_1 | m3/h | 0.0313 | 0.05 |
| Transitional Flowrate Q_2 | m3/h | 0.05 | 0.08 |
| Permanent Flowrate Q_3 | m3/h | 2.5 | 4.0 |
| Overload Flowrate Q_4 | m3/h | 3.13 | 5.0 |

Pressure Loss Diagram



Accuracy Curve

